



Page
Return
Page 1
Page 2
Page 3
Page 4
Page 5
Page 6
Page 7
Page 8
Page 9
Page 10
Page 11
Page 12
Page 13
Page 14
Page 15
Page 16
Page 17
Page 18
Page 19
Page 20
Page 21
Page 22
Page 23
Page 24
Page 25
Page 26

GROUP 55

DOORS

TABLE OF CONTENTS

FRONT DOORS	55 - 4	DOOR WINDOWS	55 - 11
- Removal/Installation	55 - 4	- Disassembly/Reassembly	55 - 11
DOOR HINGES	55 - 5	DOOR WINDOW ACTUATOR - WINDOW	
- Disassembly/Reassembly	55 - 5	MOTOR	55 - 12
- Adjustment	55 - 5	- Disassembly/Reassembly	55 - 12
DOOR CHECK STRAP	55 - 5	DOOR REARVIEW MIRROR	55 - 13
- Disassembly/Reassembly	55 - 5	- Disassembly/Reassembly	55 - 13
FRONT FINISHER AND ARMREST	55 - 6	WINDOW SEALS	55 - 14
- Disassembly/Reassembly	55 - 6	- Disassembly and reassembly of velour	
LOWER PANEL	55 - 7	seal	55 - 14
- Disassembly/Reassembly	55 - 7	- Disassembly and reassembly of outer	
DOOR PANEL AND LOUVERS FINISHERS ...	55 - 8	scraper seal	55 - 14
- Disassembly/Reassembly	55 - 8	- Disassembly and reassembly of upper	
DOOR HANDLE	55 - 9	outer seal	55 - 14
- Disassembly/Reassembly	55 - 9	- Disassembly and reassembly of rear	
- Adjustment	55 - 9	outer seal	55 - 14
KEY CYLINDER	55 - 9	- Disassembly and reassembly of inner	
- Disassembly/Reassembly	55 - 9	scraper seal	55 - 14
DOOR LOCK	55 - 10	- Disassembly and reassembly of inner	
- Disassembly/Reassembly	55 - 10	rubber seal and front inner seal	55 - 15
- Door striker adjustment	55 - 11	REAR DOORS	55 - 15
		- Removal/Installation	55 - 15
		DOOR HINGES	55 - 16
		- Disassembly/Reassembly	55 - 16
		- Adjustment	55 - 17



GROUP 55

DOORS

TABLE OF CONTENTS

FRONT DOORS	55 - 4	DOOR WINDOWS	55 - 11
- Removal/Installation	55 - 4	- Disassembly/Reassembly	55 - 11
DOOR HINGES	55 - 5	DOOR WINDOW ACTUATOR - WINDOW	
- Disassembly/Reassembly	55 - 5	MOTOR	55 - 12
- Adjustment	55 - 5	- Disassembly/Reassembly	55 - 12
DOOR CHECK STRAP	55 - 5	DOOR REARVIEW MIRROR	55 - 13
- Disassembly/Reassembly	55 - 5	- Disassembly/Reassembly	55 - 13
FRONT FINISHER AND ARMREST	55 - 6	WINDOW SEALS	55 - 14
- Disassembly/Reassembly	55 - 6	- Disassembly and reassembly of velour	
LOWER PANEL	55 - 7	seal	55 - 14
- Disassembly/Reassembly	55 - 7	- Disassembly and reassembly of outer	
DOOR PANEL AND LOUVERS FINISHERS ...	55 - 8	scraper seal	55 - 14
- Disassembly/Reassembly	55 - 8	- Disassembly and reassembly of upper	
DOOR HANDLE	55 - 9	outer seal	55 - 14
- Disassembly/Reassembly	55 - 9	- Disassembly and reassembly of rear	
- Adjustment	55 - 9	outer seal	55 - 14
KEY CYLINDER	55 - 9	- Disassembly and reassembly of inner	
- Disassembly/Reassembly	55 - 9	scraper seal	55 - 14
DOOR LOCK	55 - 10	- Disassembly and reassembly of inner	
- Disassembly/Reassembly	55 - 10	rubber seal and front inner seal	55 - 15
- Door striker adjustment	55 - 11	REAR DOORS	55 - 15
		- Removal/Installation	55 - 15
		DOOR HINGES	55 - 16
		- Disassembly/Reassembly	55 - 16
		- Adjustment	55 - 17



DOOR CHECK STRAP 55 - 17

- Disassembly/Reassembly 55 - 17

FRONT FINISHER AND ARMREST 55 - 17

- Disassembly/Reassembly 55 - 17

LOWER PANEL 55 - 18

- Disassembly/Reassembly 55 - 18

DOOR PANEL 55 - 19

- Disassembly/Reassembly 55 - 19

DOOR HANDLE 55 - 19

- Disassembly/Reassembly 55 - 19
- Adjustment 55 - 20

DOOR LOCK 55 - 20

- Disassembly/Reassembly 55 - 20
- Door striker adjustment 55 - 21

DOOR WINDOWS 55 - 21

- Disassembly/Reassembly 55 - 21

DOOR WINDOW ACTUATOR - WINDOW MOTOR 55 - 22

- Disassembly/Reassembly 55 - 22

WINDOW SEALS 55 - 23

- Disassembly and reassembly of velour seal 55 - 23
- Disassembly and reassembly of outer scraper seal 55 - 23
- Disassembly and reassembly of upper outer seal 55 - 23
- Disassembly and reassembly of front outer seal 55 - 24
- Disassembly and reassembly of inner scraper seal 55 - 24
- Disassembly and reassembly of inner rubber seal 55 - 24

TECHNICAL CHARACTERISTICS AND SPECIFICATIONS 55 - 25

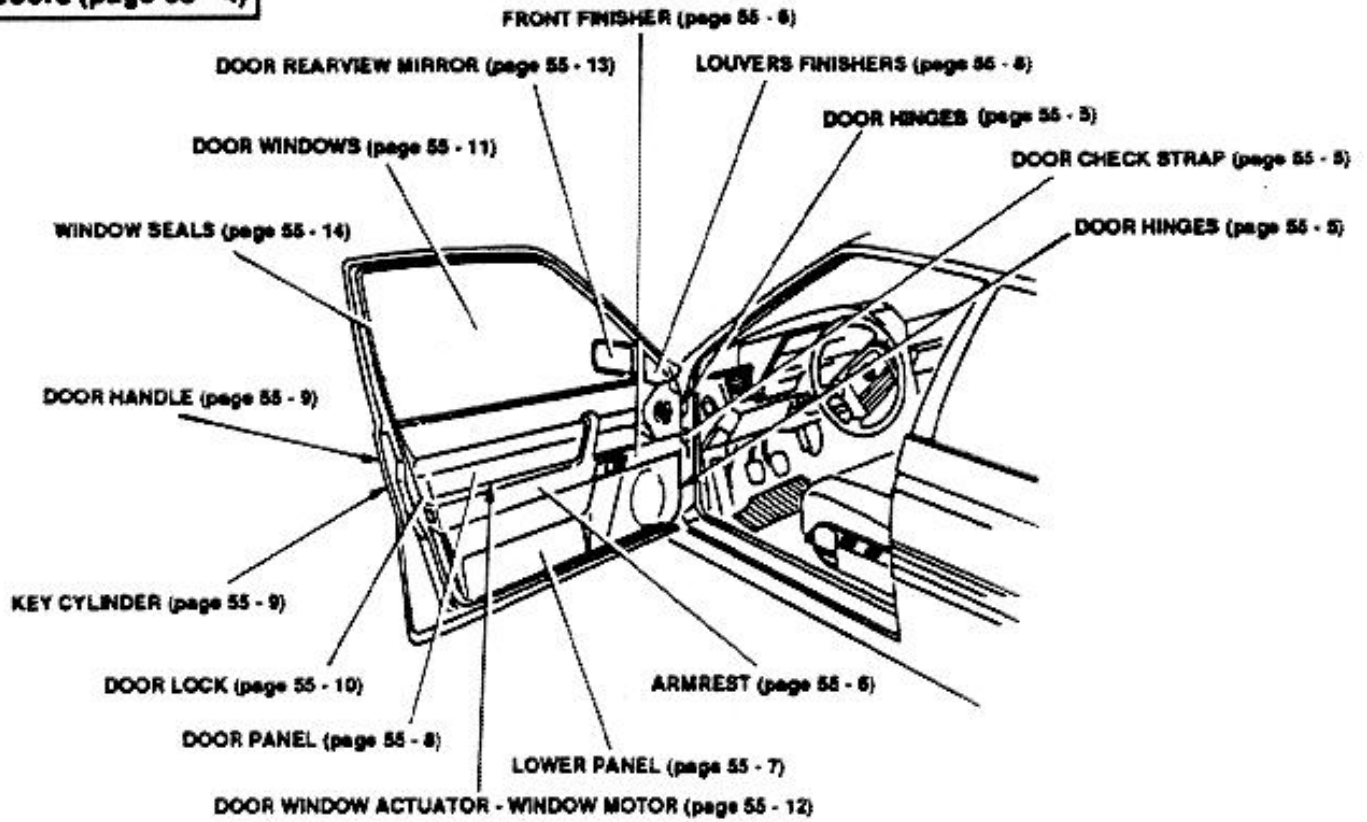
- Fluids and lubricants 55 - 25
- Tightening torques 55 - 25

TROUBLESHOOTING PROCEDURE 55 - 26

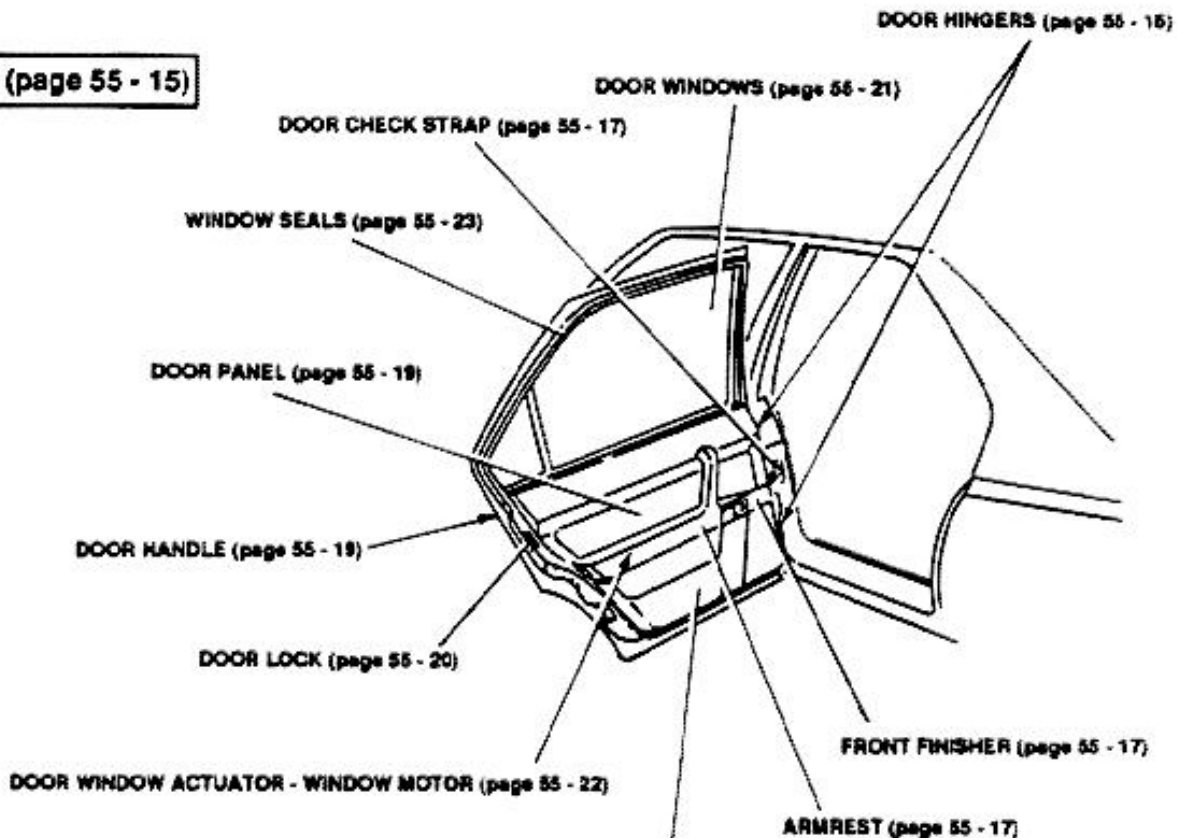


ILLUSTRATED INDEX

Front doors (page 55 - 4)



Rear doors (page 55 - 15)





DOORS

FRONT DOORS

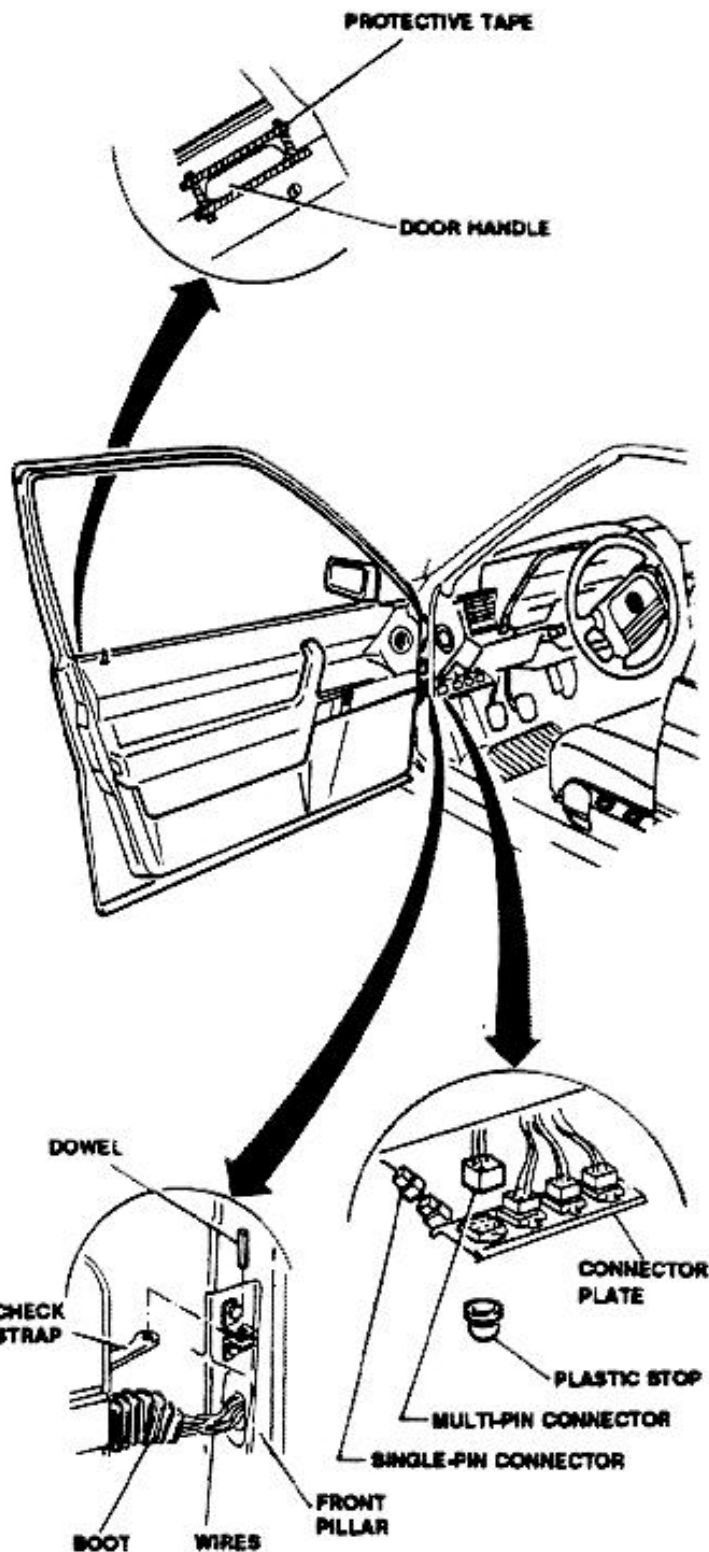
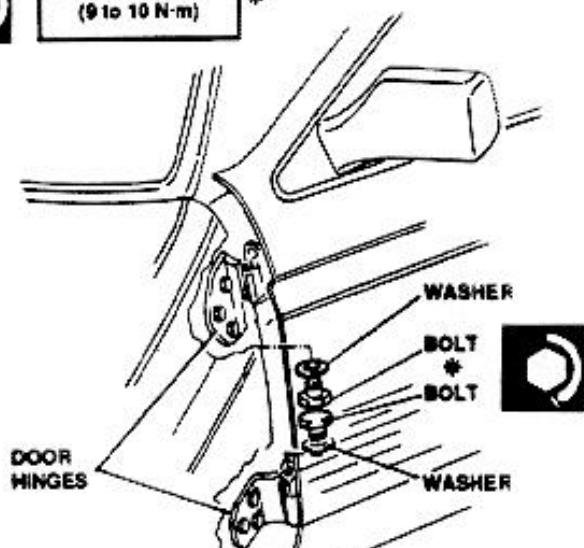
REMOVAL/INSTALLATION

NOTE: Avoid damage to body painting during removal and installation.

1. Disconnect negative (-) lead from battery.
2. Unscrew and remove plastic stop that secures connector plate.
3. Disconnect multi-pin connector of door electrical system.
4. Disconnect single-pin connector of door electrical system.
5. Apply adhesive tape all-around door handle to avoid damage to painting.
6. Remove bolts and washers securing upper and lower hinges.
7. Remove check strap dowel.
8. Half-close door to retract check strap, then open and lift door.
9. Hold door lifted to prevent it from dropping and remove boot; withdraw wires from front pillar.
10. Remove door.



6.54 to 7.38 ft.lbs
(9 to 10 N-m) *



Check that wires are properly connected before connecting any electrical connector.

✓

55 - 4

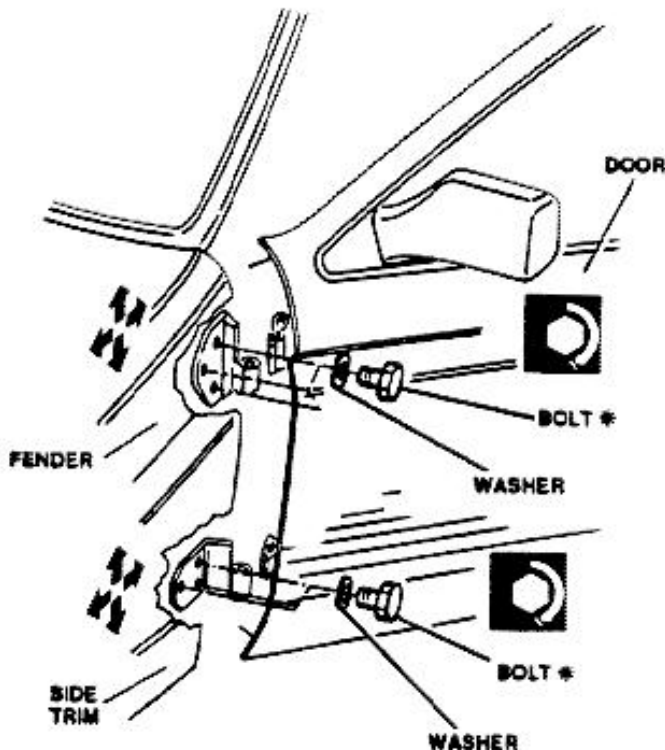


DOOR HINGES

DISASSEMBLY/REASSEMBLY

NOTE: Avoid damage to body painting during disassembly and reassembly.

1. Disconnect negative (-) lead from battery.
2. Remove front door.
3. Remove front side trim (see Group 75).
4. Remove fender (see Group 49).
5. Remove three bolts and washers securing each hinge to front pillar.



14.7 to 16.23 ft.lbs
(19.9 to 22 N.m)



- Apply anti-rust treatment (see Group 49) on hinge installation area before reassembly hinges.
- Adjust hinges position, as described below, before torquing hinge bolts.
- Apply anti-rust treatment (see Group 49) on hinge sides after reassembly.
- For components and/or parts described in other pages of same group or in other groups, refer to related reassembly procedures and informations.

ADJUSTMENT

1. Temporarily reassembly door.
2. With door closed, check for correct alignment and positioning of door: if misalignment is found, reposition hinges vertically and horizontally as required.
3. Temporarily reassemble fender.
4. Check that fender is correctly aligned with door: if misalignment is found, remove fender and reposition hinges vertically and horizontally as required.
5. Repeat check per step 2 above, temporarily reinstall fender then repeat check per step 4 above.
6. After adjustment has been completed, disassemble fender and door and torque hinges bolts to 14.7 to 16.23 ft.lbs (19.9 to 22 N.m).

DOOR CHECK STRAP

DISASSEMBLY/REASSEMBLY

NOTE: Avoid damage to body painting during disassembly and reassembly.

1. Lower door window.
2. Disconnect negative (-) lead from battery.
3. Withdraw dowel from check strap.
4. Remove front finisher.



Proceed in reverse order for reassembly.

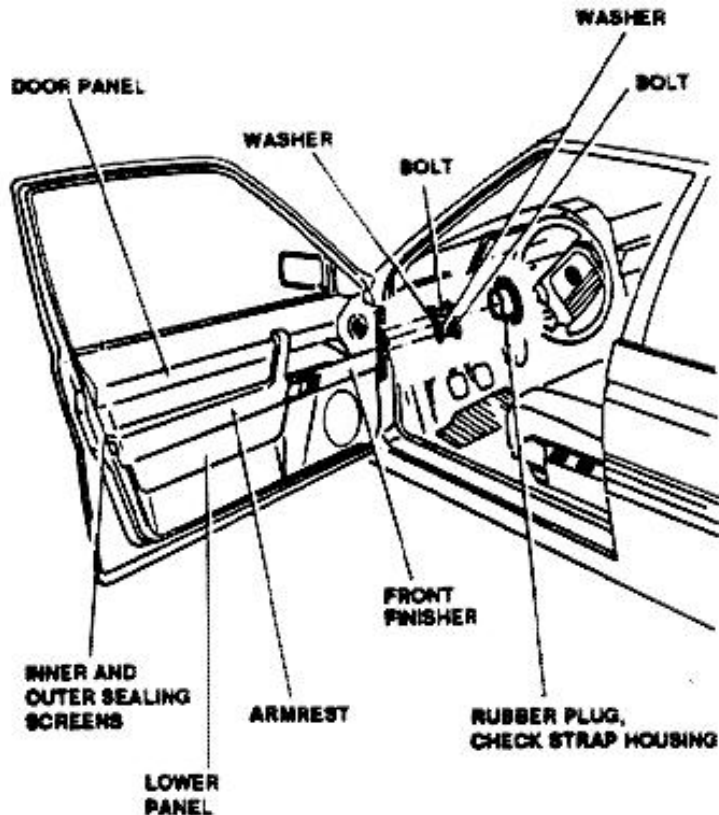


| 5. Remove lower panel.

55 - 5



6. Remove lower finisher and door panel complete with armrest.
7. Remove inner and outer sealing screens.
8. Half-close door to retract check strap, then open door.
9. Remove check strap housing rubber plug.
10. Remove two bolts and screws securing check strap.
11. Remove check strap by pulling it from door interior.



- Apply anti-rust treatment (see Group 49) on check strap installation area before reassembly check straps.
- Apply anti-rust treatment (see Group 49) on check strap sides after reassembly.
- After inner and outer sealing screens have been installed, perform window functional check to ascertain proper installation and rigging.
- For components and/or parts described in other pages of same group or in other groups, refer to related reassembly procedures and informations.

FRONT FINISHER AND ARMREST

DISASSEMBLY/REASSEMBLY

1. Disconnect negative (-) lead from battery.
2. Remove screw located under door opening control.
3. Slide forward front finisher until free from rear plastic pin.
4. Remove front finisher.
5. Disconnect door mirror control wiring.
6. Remove three screws securing armrest.
7. Move away rear end of armrest and disconnect door lamp wiring.



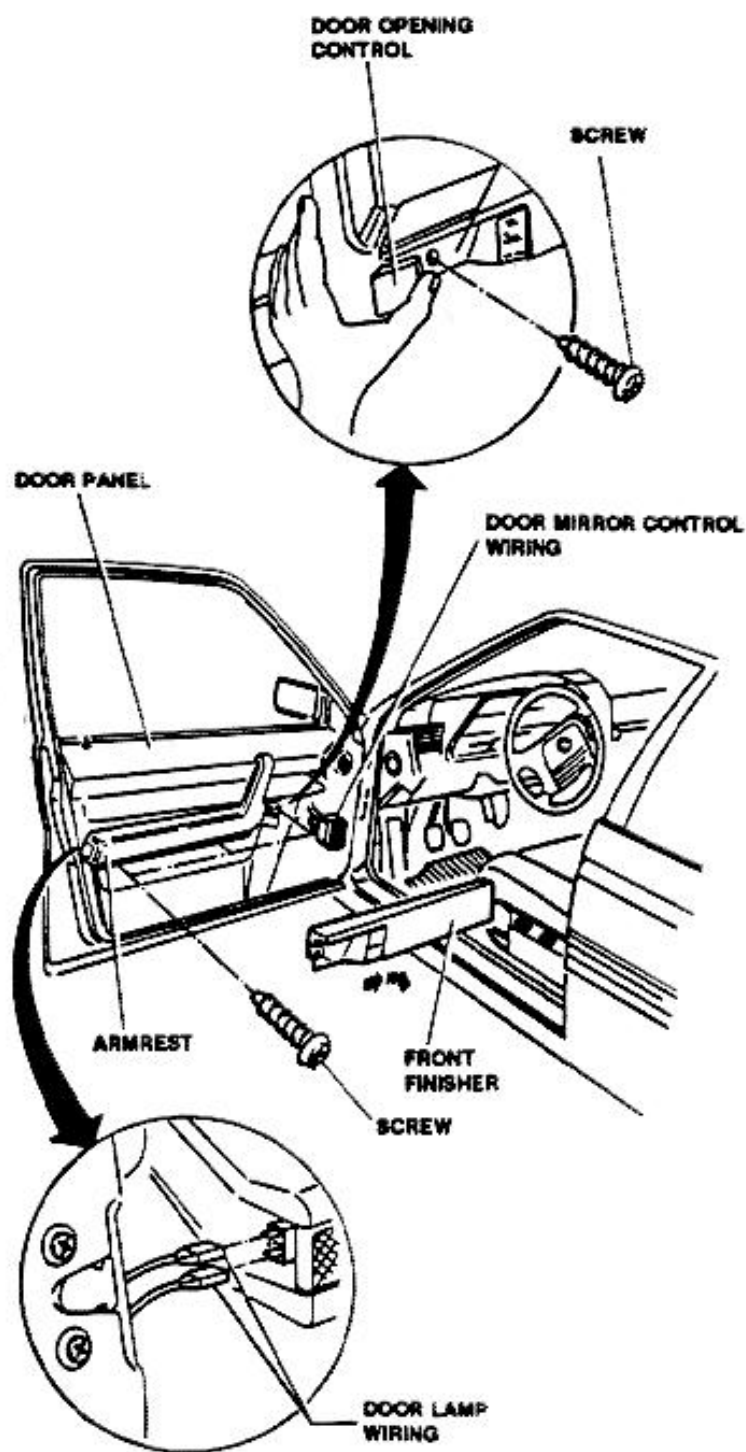
CAUTION:

Care must be exercised to avoid damage to armrest and to door panel.



Proceed in reverse order for reassembly.

8. Lift and remove armrest.



Proceed in reverse order for reassembly.

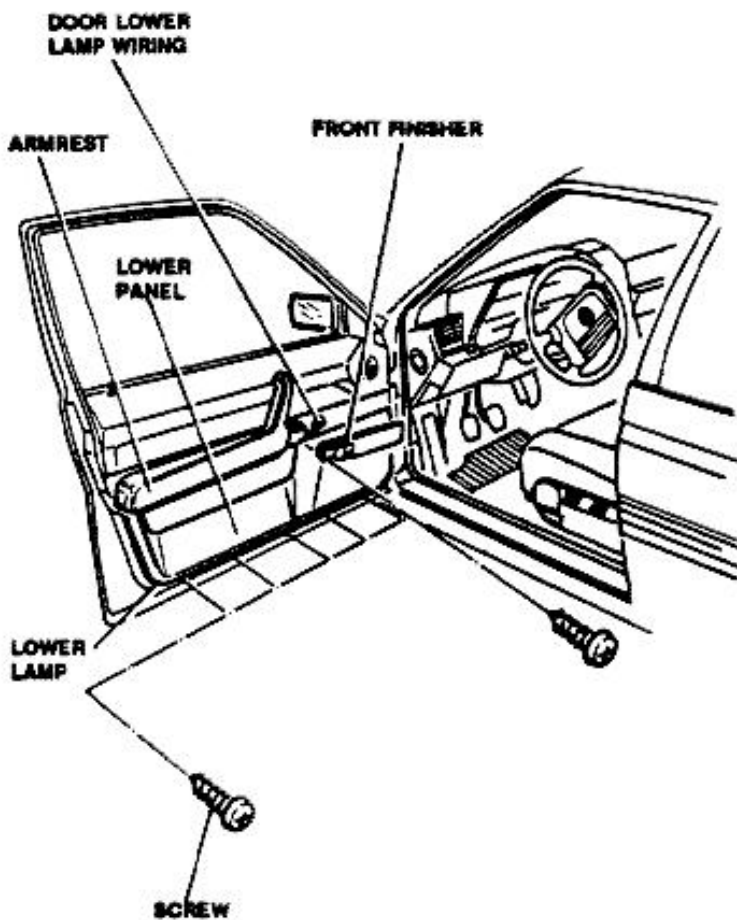


Check that wires are properly connected before connecting any electrical connector.

LOWER PANEL

DISASSEMBLY/REASSEMBLY

1. Disconnect negative (-) lead from battery.
2. Remove front finisher and screws securing armrest.
3. Disconnect lower lamp wiring.
4. Remove five screws securing lower panel.
5. Move-away lower panel from plastic catch and remove it.



Proceed in reverse order for reassembly.

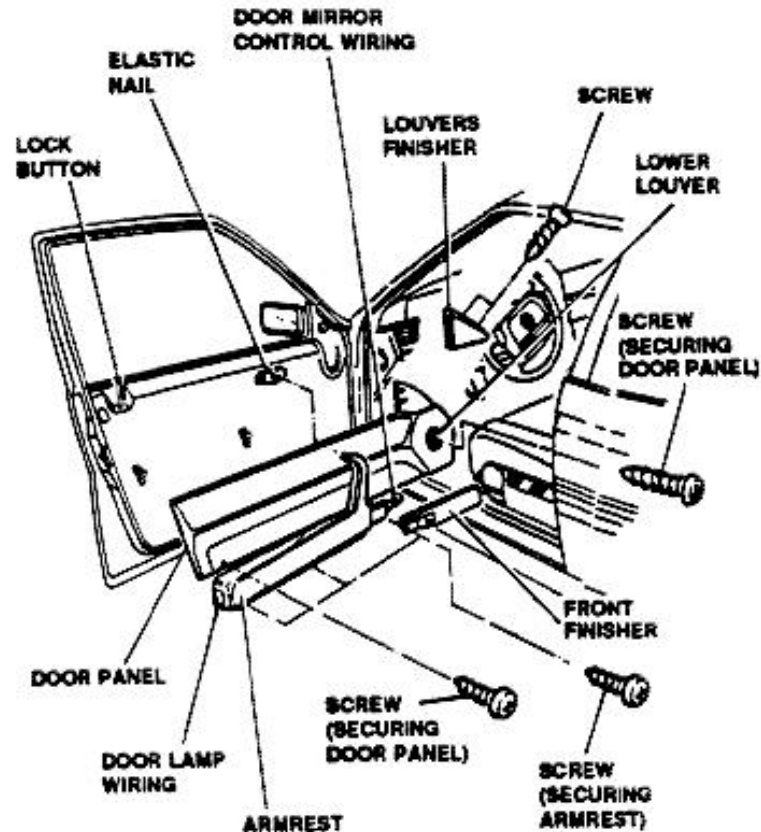


- Check that wires are properly connected before connecting any electrical connector.
- Check plastic catches on lower panel for integrity before reassembly.
- For components and/or parts described in other pages of same group or in other groups, refer to related reassembly procedures and informations.

DOOR PANEL AND LOUVERS FINISHERS

DISASSEMBLY/REASSEMBLY

1. Disconnect negative (-) lead from battery.
2. Remove screw securing louvers finishers.
3. Remove louvers finishers.
4. Remove front finisher.
5. Disconnect door mirror control wiring.
6. Remove three screws securing armrest.
7. Move away rear end of armrest and disconnect door lamp wiring.
8. Remove rear screw securing door panel.
9. Remove front screw securing door panel from inner of lower louver.
10. Lift armrest and door panel and disengage the lateral from elastic nail and lock button.
11. Remove door panel.
12. If required, remove armrest.



- Check that wires are properly connected before connecting any electrical connector.
- For components and/or parts described in other pages of same group or in other groups, refer to related procedures and informations.



DOOR HANDLE

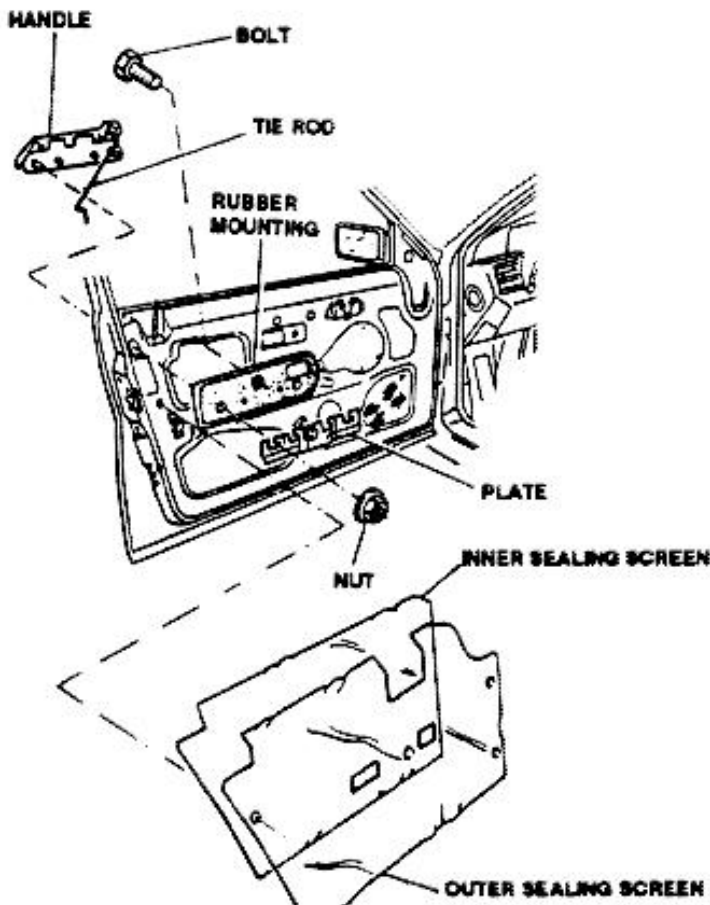
DISASSEMBLY/REASSEMBLY

1. Disconnect negative (-) lead from battery.
2. Remove front finisher.
3. Remove lower panel.
4. Remove louvers finishers and door panel complete with armrest.
5. Remove inner and outer sealing screens.
6. Remove two nuts securing handle.
7. Remove handle plate.



CAUTION:
Avoid damage to body painting.

8. Remove handle complete with tie-rod.
9. If required, remove securing bolt then remove rubber mounting.



Proceed in reverse order for reassembly.

- Adjust handle position, as described below, before torquing bolts.
- After inner and outer sealing screens have been installed, perform window functional check to ascertain proper installation.
- For components and/or parts described in other pages of same group or in other groups, refer to related procedures and information.

ADJUSTMENT

1. After handle, handle plate and rubber mounting (if removed) have been installed, perform the following checks before torquing bolts:
 - Check handle for freedom of movement.
 - Check that handle upper corners do not hit against handle recess.
2. Torque bolts.
3. Repeat check as per step 1 above.

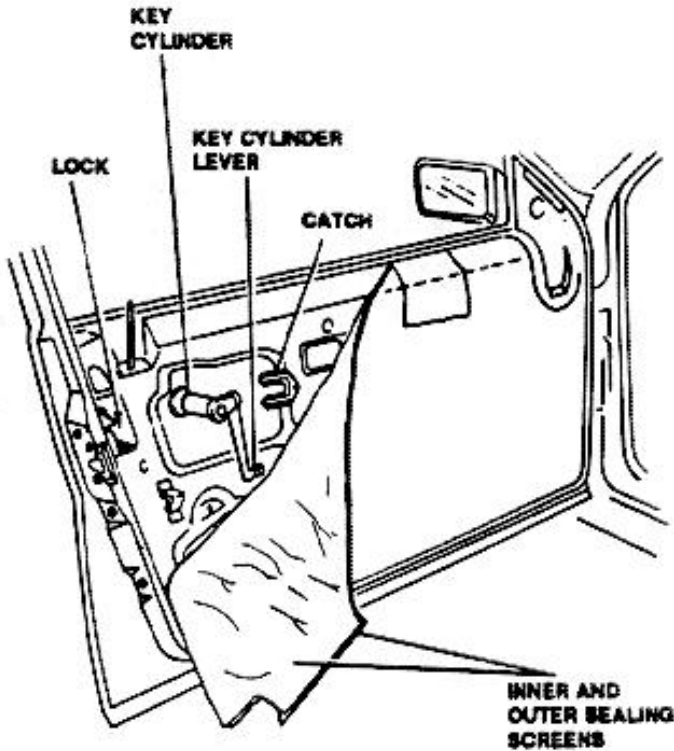
KEY CYLINDER

DISASSEMBLY/REASSEMBLY

1. Disconnect negative (-) lead from battery.
2. Remove front finisher.
3. Remove lower panel.
4. Remove louvers finishers and door panel complete with armrest.
5. Detach upper side of inner and outer sealing screens.
6. Remove clip securing lever to key cylinder.
7. Remove lever from key cylinder.
8. Remove key cylinder from door exterior.

✓

55 - 9



Proceed in reverse order for reassembly.

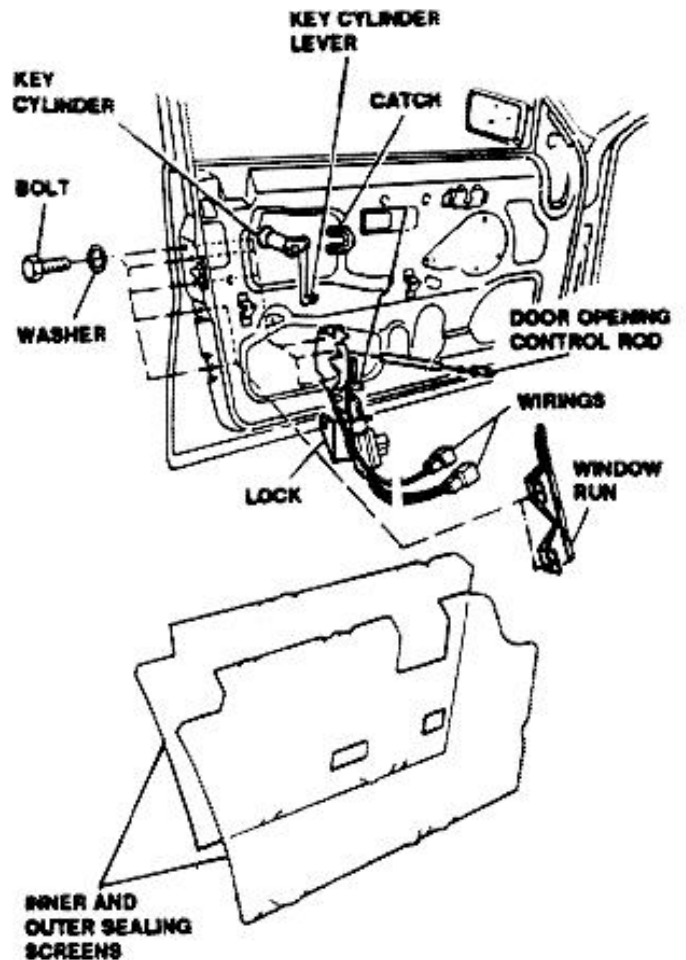
- After inner and outer sealing screens have installed, perform window functional check to ascertain proper installation.
- For components and/or parts described in other pages of same group or in other groups, refer to related procedures and information.

DOOR LOCK

DISASSEMBLY/REASSEMBLY

1. Disconnect negative (-) lead battery.
2. Remove front finisher.
3. Remove lower panel.
4. Remove louvers finisher and door panel complete with armrest .
5. Remove inner and outer sealing screens.
6. Remove clin securing lever to key cylinder.

7. Remove lever from key cylinder.
8. Disconnect door opening control rod end from attaching point on door.
9. Disconnect wiring from lock.
10. Remove five bolts and washers securing lock.
11. Remove window run.
12. Pull door lock downward and remove it.



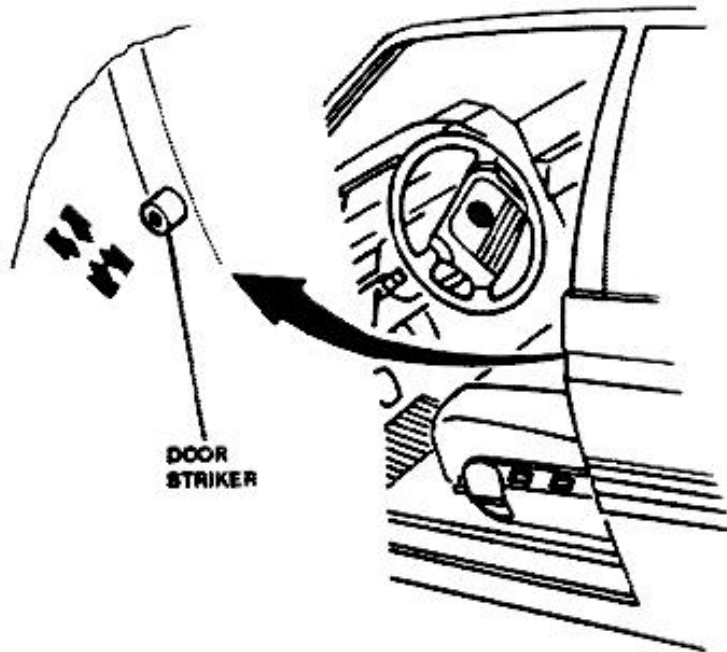


Proceed in reverse order for reassembly.

- Check that wires are properly connected before connecting any electrical connector.
- After inner and outer sealing screens have been installed, perform window functional check to ascertain proper installation.
- For components and/or parts described in other pages of same group or in other groups, refer to related procedures and informations.
- After reassembly, adjust door striker position on door pillar as required.

DOOR STRIKER ADJUSTMENT

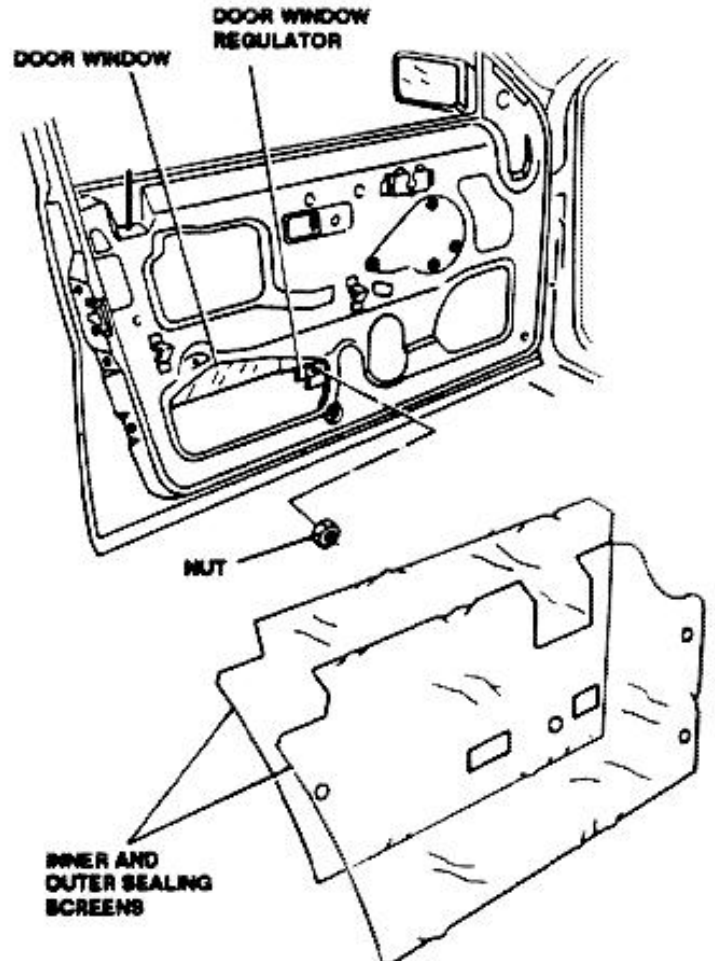
1. With door lock installed, loosen door striker on pillar.
2. Adjust door striker vertically and horizontally until door closes correctly.
3. Tighten door striker after correct position is achieved.



DOOR WINDOWS

DISASSEMBLY/REASSEMBLY

1. Open door window.
2. Disconnect negative (-) lead from battery.
3. Remove front finisher.
4. Remove lower panel.
5. Remove louver finisher and door panel complete with armrest.
6. Remove inner and outer sealing screens.
7. Remove two nuts securing door window to door window regulator.
8. Disconnect window from window regulator.
9. Slightly rotate window upward then remove it from door.





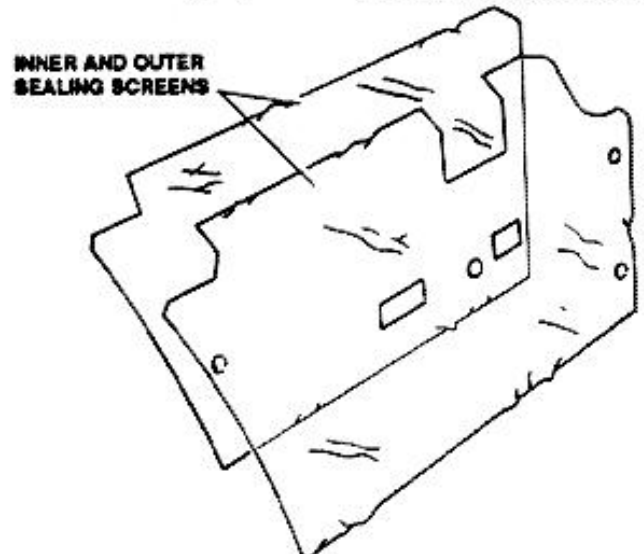
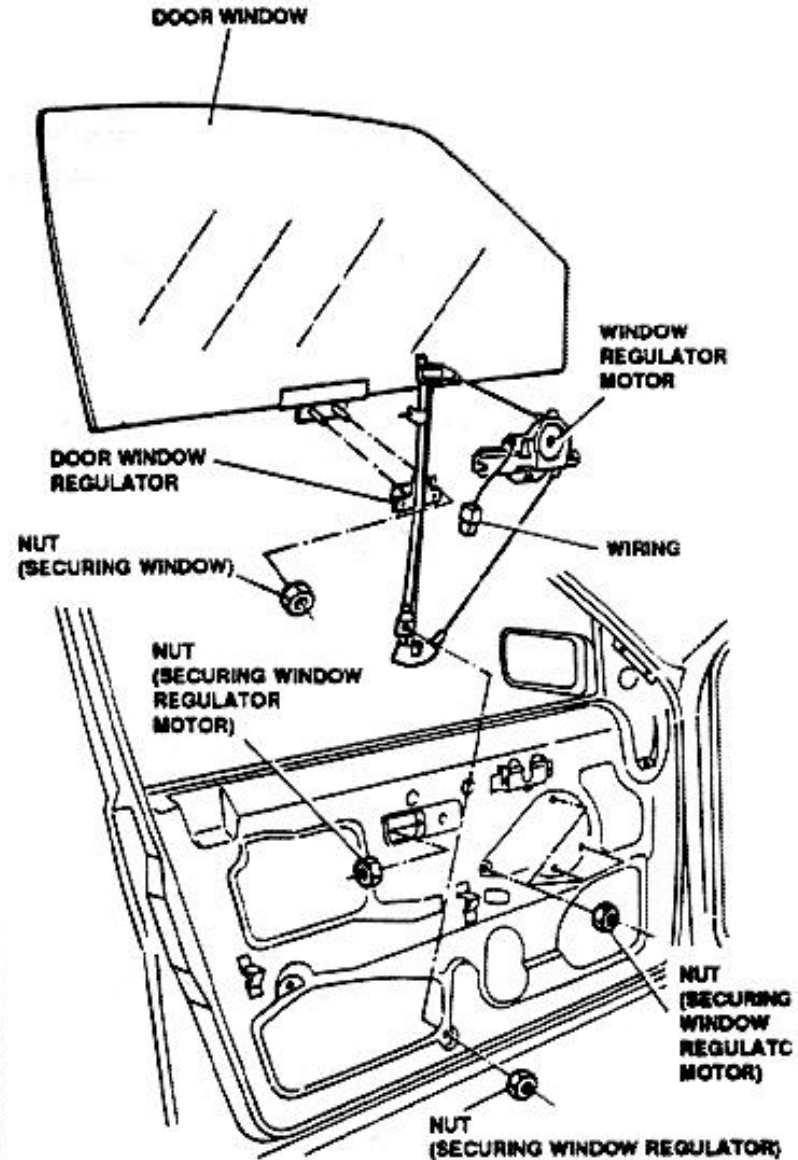
Proceed in reverse order for reassembly.

- After door window is positioned and partially secured, lift it and push against outer seals, then secure in position.
- Before reassembly remaining components, carry-out window functional check. Check also door window for smooth travel and interference.
- After inner and outer sealing screens have been installed, perform window functional check to ascertain proper installation.
- For components and/or parts described in other pages of same group or in other groups, refer to related procedures and informations.

DOOR WINDOW ACTUATOR - WINDOW MOTOR

DISASSEMBLY/REASSEMBLY

1. Lower window.
2. Disconnect negative (-) lead from battery
3. Remove front finisher.
4. Remove lower panel.
5. Remove louver finisher and door panel complete with armrest .
6. Remove inner and outer sealing screens.
7. Remove door window.
8. Disconnect wiring from window motor.
9. Remove five nuts securing window motor.
10. Remove lower nut securing window actuator.
11. Remove window actuator and motor from door.





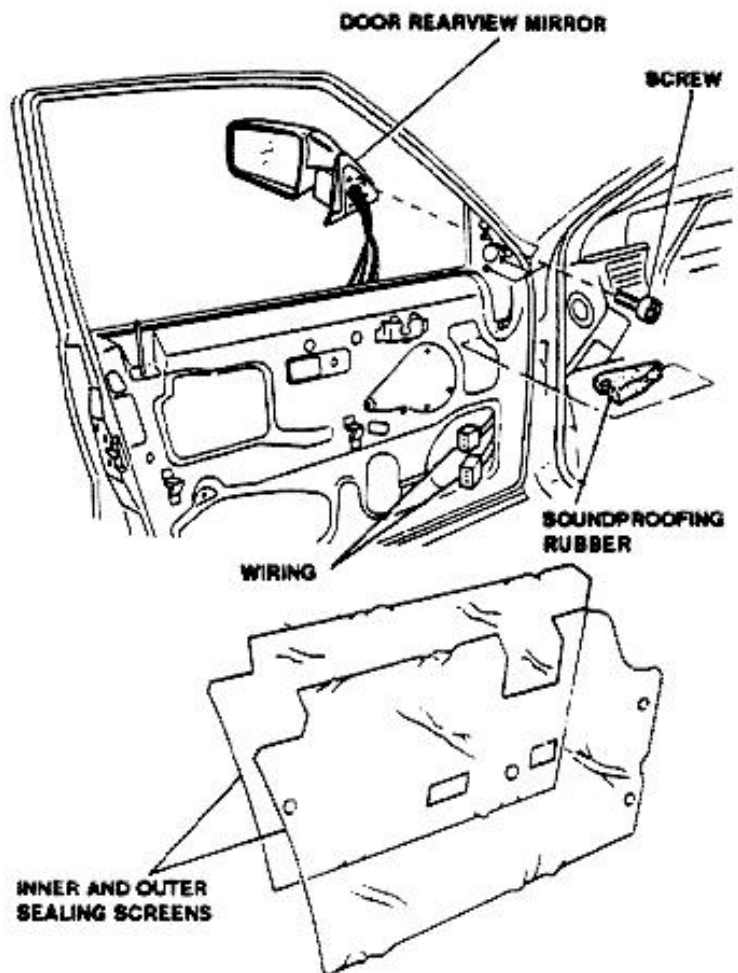
Proceed in reverse order for reassembly.

- Check that wires are properly connected before connecting any electrical connectors.
- After door window is positioned and partially secured, lift it and push against outer seals, then secure in position.
- Before reassembly remaining components, carry-out window functional check. Check also door window for smooth travel and interference.
- After inner and outer sealing screens have been installed, perform window functional check to ascertain proper installation.
- For components and/or parts described in other pages of same group or in other groups, refer to related procedures and informations.

DOOR REARVIEW MIRROR

DISASSEMBLY/REASSEMBLY

1. Lower window.
2. Disconnect negative (-) lead from battery.
3. Remove front finisher.
4. Remove lower panel.
5. Remove louver finisher and door panel complete with armrest.
6. Remove inner and outer sealing screens.
7. Disconnect door rearview mirror control wiring.
8. Remove soundproofing rubber.
9. Remove three screws securing rearview mirror to door.
10. Remove rearview mirror from door, withdrawing wiring from door.



Proceed in reverse order for reassembly.

- Check that wires are properly connected before connecting connectors.
- Check that soundproofing rubber is correctly positioned to avoid excessive noise during vehicle's run.
- After inner and outer sealing screens have been installed, perform window functional check to ascertain proper installation.
- For components and/or parts described in other pages of same group or in other groups, refer to related procedures and informations.



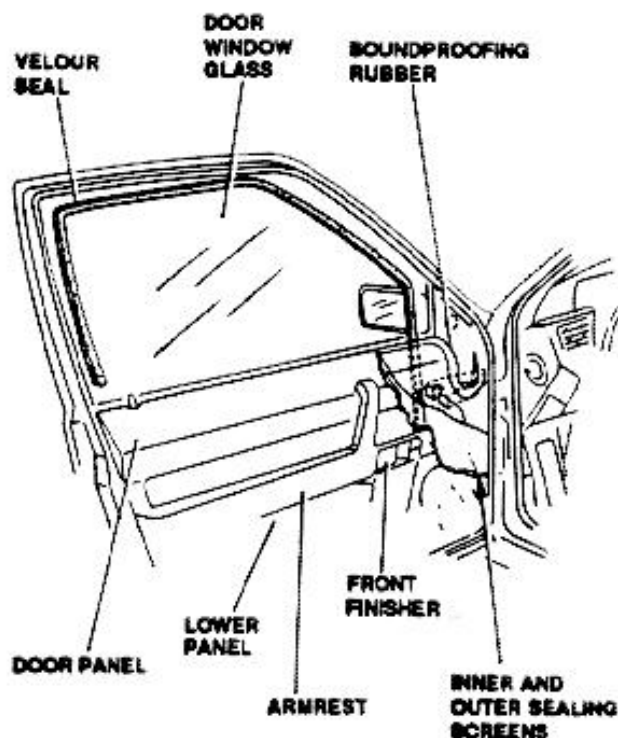
WINDOW SEALS

DISASSEMBLY AND REASSEMBLY OF VELOUR SEAL

1. Lower window.
2. Disconnect negative (-) lead from battery.
3. Remove front finisher.
4. Remove lower panel.
5. Remove louver finisher and door panel complete with armrest.
6. Remove inner and outer sealing screens.
7. Remove door window.
8. Withdraw and remove velour seal.



Proceed in reverse order for reassembly.



DISASSEMBLY AND REASSEMBLY OF OUTER SCRAPER SEAL

1. Lower window.
2. Disconnect negative (-) lead from battery.
3. Remove screw securing outer scraper seal.

4. Withdraw and remove outer scraper seal.



Proceed in reverse order for reassembly.

DISASSEMBLY AND REASSEMBLY OF UPPER OUTER SEAL

1. Lower window.
2. Disconnect negative (-) lead from battery.
3. Remove front finisher.
4. Remove lower panel.
5. Remove louver finisher and door panel complete with armrest.
6. Remove inner and outer sealing screens.
7. Remove door rearview mirror.
8. Withdraw velour seal as necessary to allow removal of upper outer seal.
9. Withdraw and remove upper outer seal.



Proceed in reverse order for reassembly.

DISASSEMBLY AND REASSEMBLY OF REAR OUTER SEAL

1. Lower window.
2. Disconnect negative (-) lead from battery.
3. Withdraw velour seal as necessary to allow removal of rear outer seal.
4. Withdraw and remove rear outer seal.



Proceed in reverse order for reassembly.

DISASSEMBLY AND REASSEMBLY OF INNER SCRAPER SEAL

1. Lower window.
2. Disconnect negative (-) lead from battery.
3. Remove front finisher.
4. Remove lower panel.
5. Remove louver finisher and door panel complete with armrest.
6. Withdraw and remove inner scraper seal.



184



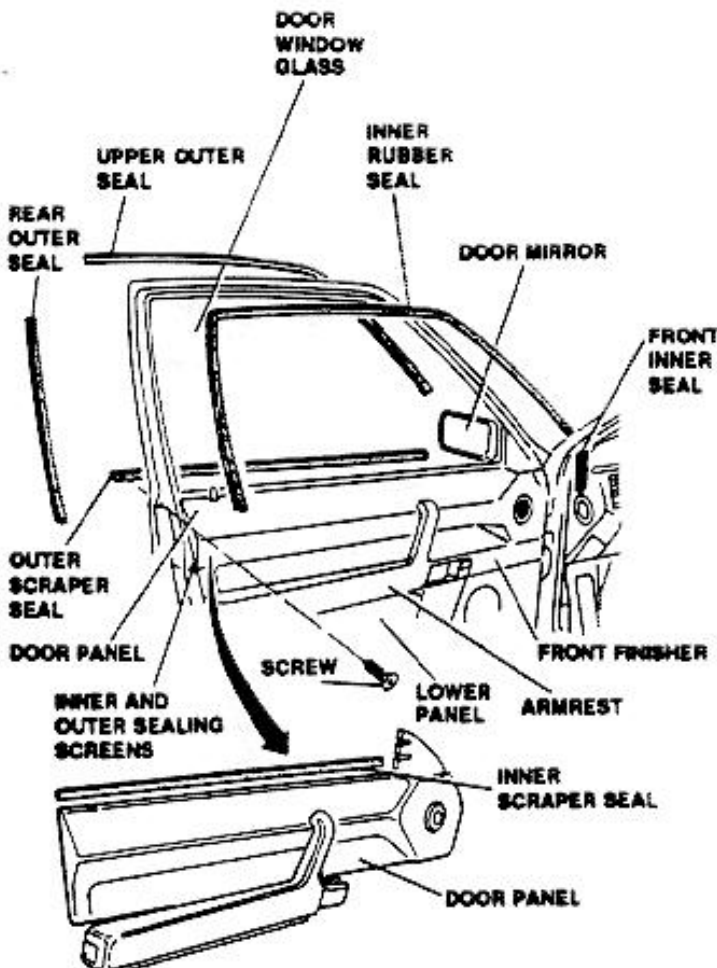
Proceed in reverse order for reassembly.

DISASSEMBLY AND REASSEMBLY OF INNER RUBBER SEAL AND FRONT INNER SEAL

1. Lower window.
2. Disconnect negative (-) lead from battery.
3. Remove front inner seal.
4. Withdraw and remove inner rubber seal.



Proceed in reverse order for reassembly.



- After velour seals has been installed, check that soundproofing seals are correctly positioned before installation of remaining components.
- After reassembly, check that each seal(s) is properly installed and flush with adjacent frame in order to avoid excessive noise during vehicle's run.
- After inner and outer sealing screen have been installed, perform window functional check to ascertain proper installation.
- For components and/or parts described in other pages of same group or in other groups, refer to related procedures and informations.

REAR DOORS

REMOVAL/INSTALLATION

NOTE: Avoid damage to body painting during removal and installation.

1. Disconnect negative (-) lead from battery.
2. Disconnect multi-pin connector of door electrical system.
3. Apply adhesive tape all-around door handle to avoid damage to painting.
4. Remove bolts and washers securing upper and lower hinges.
5. Remove check strap dowel.
6. Half-close door to retract check strap, then open and lift door.
7. Remove door

55 - 15



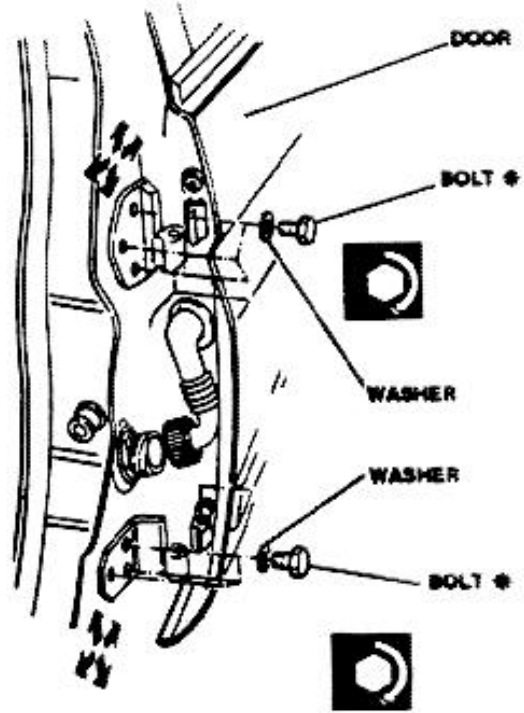
Proceed in reverse order for installation.
- Check that wires are properly connected before connecting any electrical connector.


DOOR HINGES

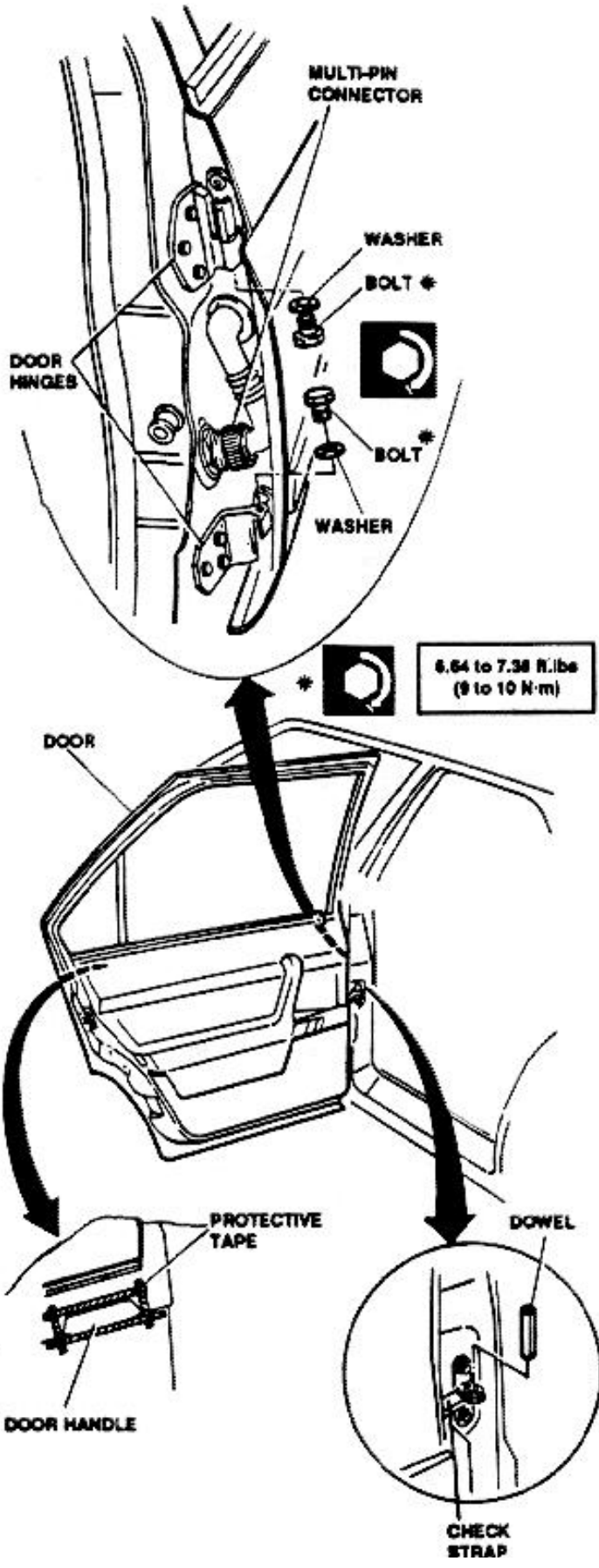
DISASSEMBLY/REASSEMBLY

NOTE: Avoid damage to body painting during disassembly and reassembly.

1. Disconnect negative (-) lead from battery.
2. Remove front door.
3. Remove three bolts and washers securing each hinge.



 14.7 to 16.23 ft.lbs
(19.9 to 22 N-m)





Proceed in reverse order for reassembly.

- Apply anti-rust treatment (see Group 49) on hinge installation area before reassembly hinges.
- Adjust hinges position, as described below, before torquing hinge bolts.
- Apply anti-rust treatment (see Group 49) on hinge sides after reassembly.
- For components and/or parts described in other pages of same group or in other groups, refer to related reassembly procedures and informations.

ADJUSTMENT

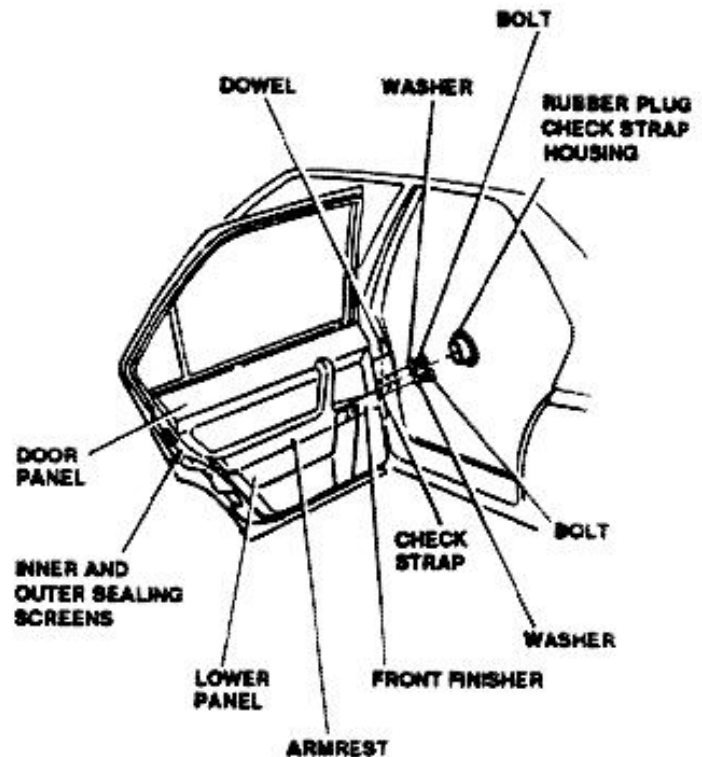
1. Temporarily reassembly door.
2. With door closed, check for correct alignment and positioning of door: if misalignment is found, reposition hinges vertically and horizontally as required.
3. After adjustment has been completed, disassemble door and torque hinge bolts to 14.7 to 16.23 ft.lbs (19.9 to 22 N.m).

DOOR CHECK STRAP

DISASSEMBLY/REASSEMBLY

NOTE: Avoid damage to body painting during disassembly and reassembly.

1. Lower window.
2. Disconnect negative (-) lead from battery.
3. Withdraw dowel from check strap.
4. Remove front finisher.
5. Remove lower panel.
6. Remove door panel complete with armrest.
7. Remove inner and outer sealing screens.
8. Half-close door to retract check strap then open door.
9. Remove check strap housing rubber plug.
10. Remove two bolts and screws securing check strap.



Proceed in reverse order for reassembly.

- Apply anti-rust treatment (see Group 49) on check strap installation area before reassembly check straps.
- Apply anti-rust treatment (see Group 49) on check strap sides after reassembly.
- For components and/or parts described in other pages of same group or in other groups, refer to related reassembly procedures and informations.

FRONT FINISHER AND ARMREST

DISASSEMBLY/REASSEMBLY

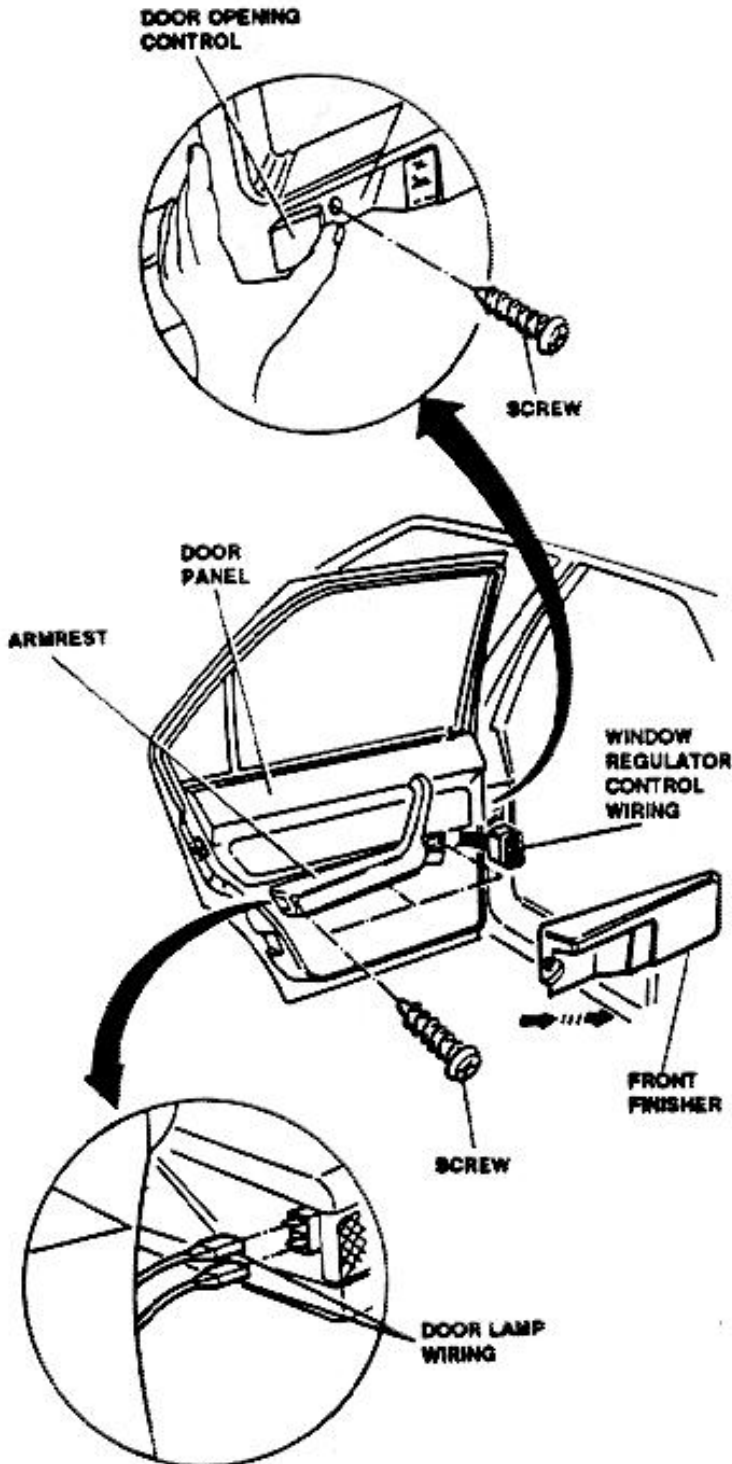
1. Disconnect negative (-) lead from battery.
2. Remove screw located under door opening control.
3. Slide forward front finisher until is free from aft plastic pin.
4. Remove front finisher.
5. Disconnect power window control wiring.
6. Remove three screws securing armrest.
7. Move away rear end of armrest and disconnect door

11. Remove check strap by pulling it from door interior. | lamp wiring.



CAUTION:
Care must be exercised to avoid damage to armrest and to door panel.

8. Lift and remove armrest.

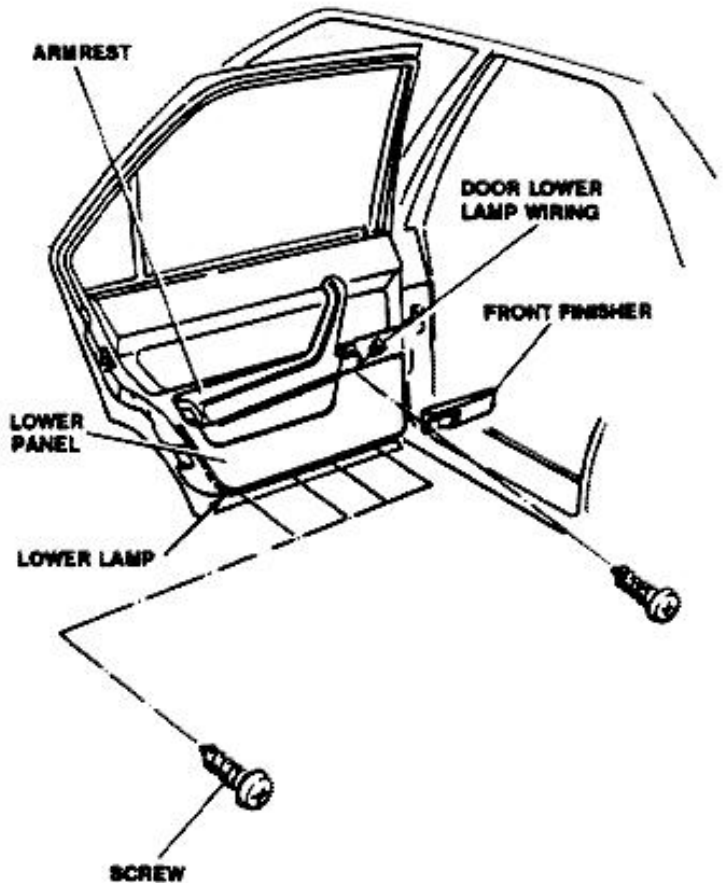


Proceed in reverse order for reassembly.
- Check that wires are properly connected before connecting any electrical connector.

LOWER PANEL

DISASSEMBLY/REASSEMBLY

1. Disconnect negative (-) lead from battery.
2. Remove front finisher and screws securing armrest.
3. Disconnect lower lamp wiring.
4. Remove four screws securing lower panel.
5. Move away lower panel from plastic catch and remove it.





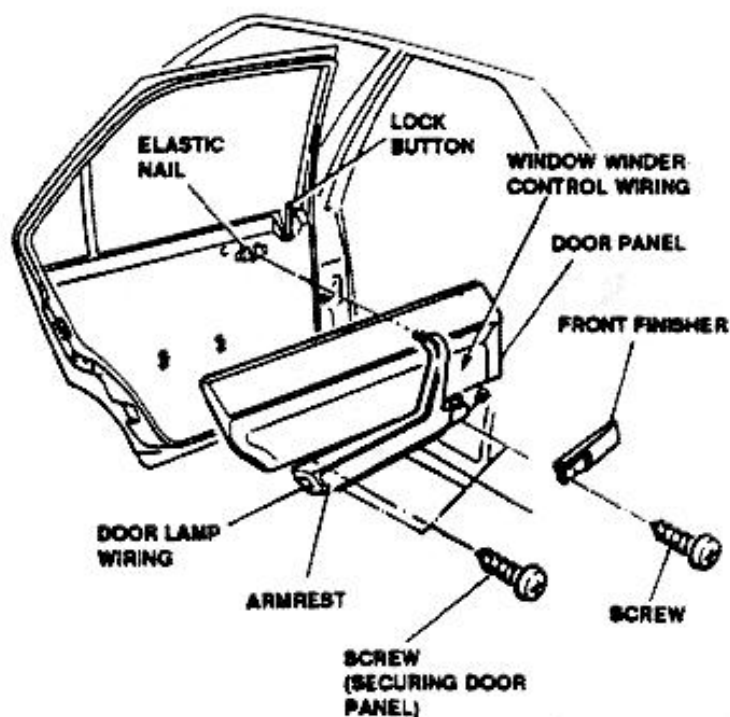
Proceed in reverse order for reassembly.

- Check that wires are properly connected before connecting any electrical connector.
- Check plastic catches on lower panel for integrity before reassembly.
- For components and/or parts described in other pages of same group or in other groups, refer to related reassembly procedures and informations.

DOOR PANEL

DISASSEMBLY/REASSEMBLY

1. Disconnect negative (-) lead from battery.
2. Remove front finisher.
3. Disconnect door mirror control wiring.
4. Remove three screws securing armrest.
5. Move away rear end of armrest and disconnect door lamp wiring.
6. Remove aft screw securing door panel.
7. Lift armrest and door panel and disengage the latter from elastic nail and lock button.
8. Remove door panel.
9. If required, remove armrest.



Proceed in reverse order for reassembly.

- Check that wires are properly connected before connecting any electrical connector.
- For components and/or parts described in other pages of same group or in other groups, refer to related procedures and informations.

DOOR HANDLE

DISASSEMBLY/REASSEMBLY

1. Disconnect negative (-) lead from battery.
2. Remove front finisher.
3. Remove lower panel.
4. Remove door panel complete with armrest.
5. Remove inner and outer sealing screens.
6. Remove two nuts securing handle.
7. Remove handle plate.



CAUTION:

Avoid damage to body painting.

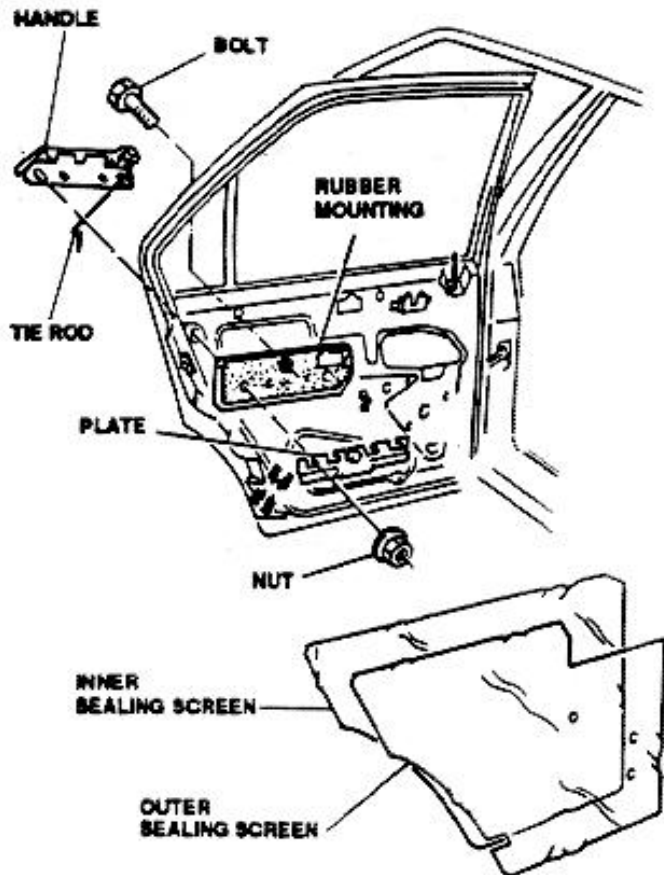
8. Remove handle complete with tie-rod.
9. If required, remove securing bolt then remove rubber mounting.



Proceed in reverse order for reassembly.

- Adjust handle position, as described below, before torquing bolts.
- After inner and outer sealing screens have been installed, perform window functional check to ascertain proper installation.
- For components and/or parts described in other pages of same group or in other groups, refer to related procedures and informations.

55 - 19



ADJUSTMENT

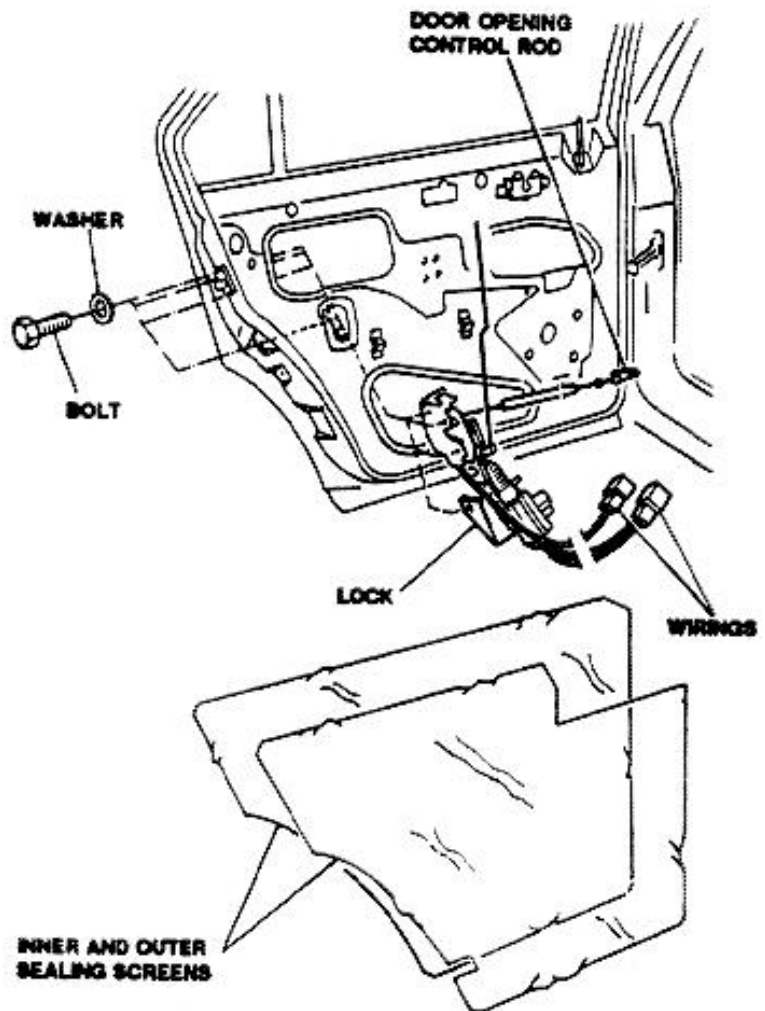
1. After handle, handle plate and rubber mounting (if removed) have been installed, perform the following checks before torquing bolts:
 - Check handle for freedom of movement.
 - Check that handle upper corners do not hit against handle recess.
2. Torque bolts.
3. Repeat check as per step 1 above.

DOOR LOCK

DISASSEMBLY/REASSEMBLY

1. Disconnect negative (-) lead from battery.
2. Remove front finisher.
3. Remove lower panel.

5. Remove inner and outer sealing screens.
6. Disconnect door opening control rod end from attaching point on door.
7. Disconnect wiring from lock.
8. Remove four bolts and washers securing lock.
9. Pull door lock downward and remove it.



Proceed in reverse order for reassembly.

- Check that wires are properly connected before connecting any electrical connector.
- After inner and outer sealing screens have installed, perform window functional check to ascertain proper installation.
- For components and/or parts described in other pages of same group or in other groups, refer to related procedures and in-

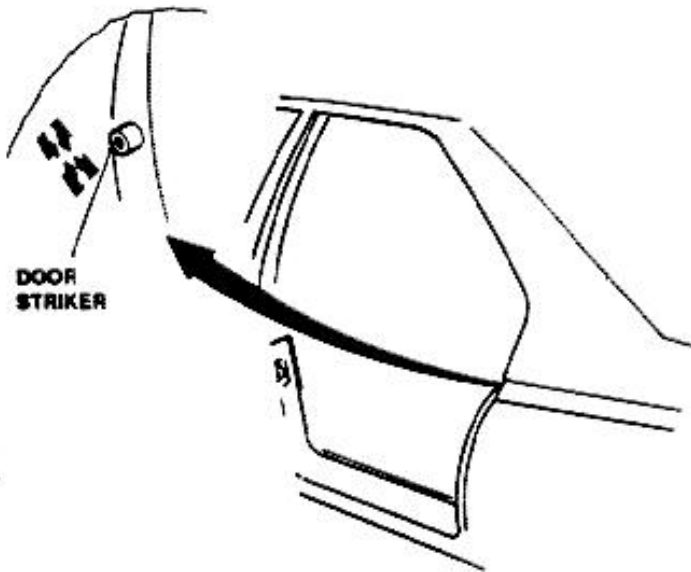
4. Remove door panel complete with armrest.

formations.



DOOR STRIKER ADJUSTMENT

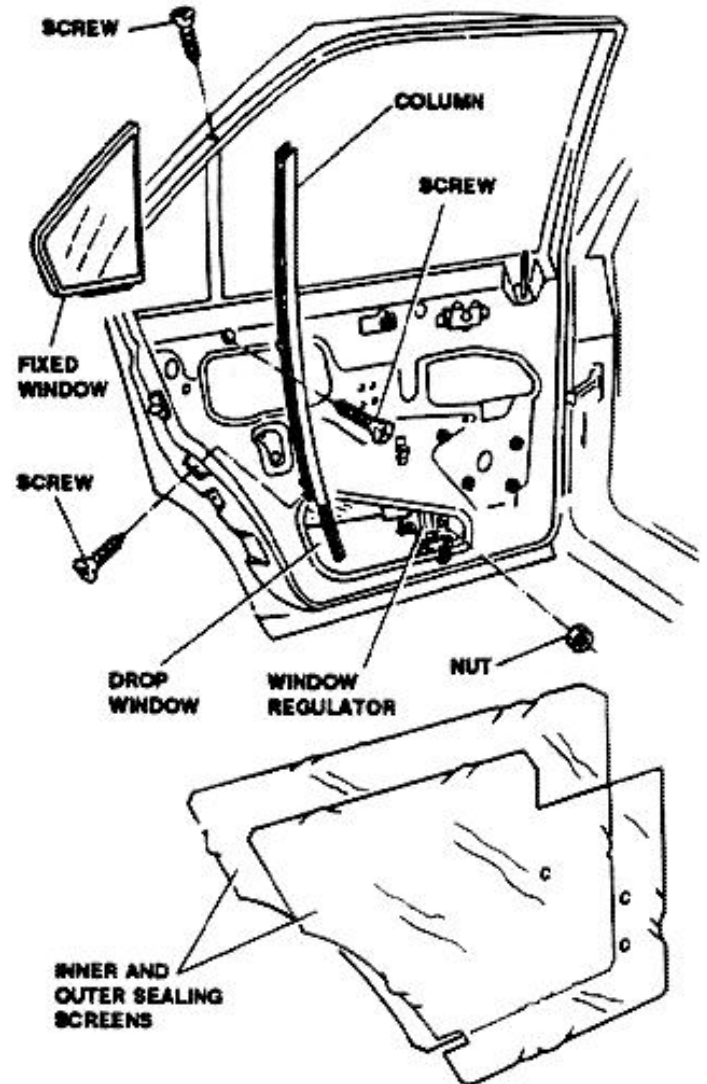
1. With door lock installed, loosen door striker on pillar.
2. Adjust door striker vertically and horizontally until door closes correctly.
3. Tighten door striker after correct position is achieved.



DOOR WINDOWS

DISASSEMBLY/REASSEMBLY

1. Open door window.
2. Disconnect negative (-) lead from battery.
3. Remove front finisher.
4. Remove lower panel.
5. Remove door panel complete with armrest.
6. Remove inner and outer sealing screens.
7. Remove three nuts securing door window column.
8. Remove column complete with seal.
9. Remove fixed window.
10. Remove two nuts securing door window to door window actuator.
11. Disconnect window from window actuator.
12. Slightly rotate window upward then remove it from door.



Proceed in reverse order for reassembly.

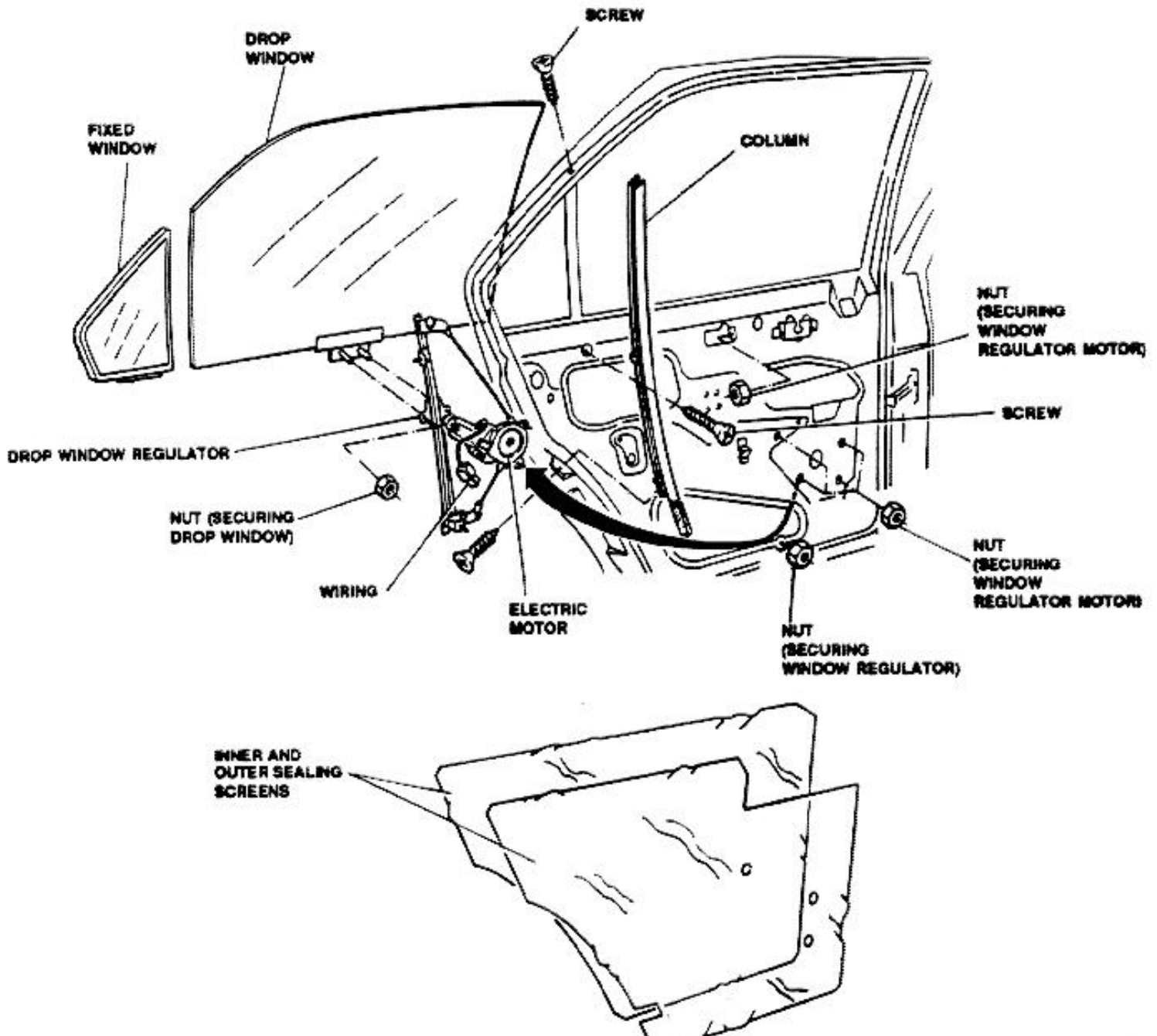
- After door window is positioned and partially secured, lift it and push against outer seals, then secure in position.
- Before reassembly remaining components, carry-out window functional check. Check also door window for smooth travel and interference.
- After inner and outer sealing screens have been installed, perform window functional checks to ascertain proper installation.
- For components and/or parts described in other pages of same group or in other groups, refer to related procedures and informations.



DOOR WINDOW ACTUATOR - WINDOW MOTOR

DISASSEMBLY/REASSEMBLY

1. Lower window.
2. Disconnect negative (-) lead from battery.
3. Remove front finisher.
4. Remove lower panel.
5. Remove door panel complete with armrest.
6. Remove inner and outer sealing screens.
7. Remove three screws securing window column.
8. Remove column complete with seal.
9. Remove fixed window.
10. Remove drop window.
11. Disconnect wiring from window motor.
12. Remove five nuts securing window motor.
13. Remove lower nut securing window actuator.
14. Remove window actuator and motor from door.



✓

55 - 22



Proceed in reverse order for reassembly.

- Check that wires are properly connected before connecting any electrical connectors.
- After door window is positioned and partially secured, lift it and push against outer seals, then secure in position.
- Before reassembly remaining components, carry-out a window functional check. Check also door window for smooth travel and interference.
- After inner and outer sealing screens have been installed, perform window functional check to ascertain proper installation.
- For components and/or parts described in other pages of same group or in other groups, refer to related procedures and informations.

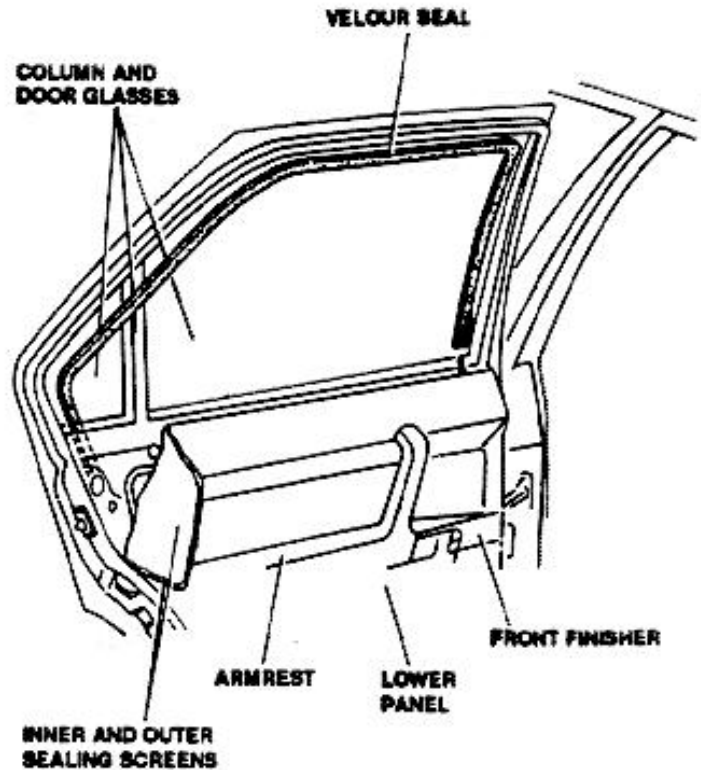
WINDOW SEALS

DISASSEMBLY AND REASSEMBLY OF VELOUR SEAL

1. Open drop window.
2. Disconnect negative (-) lead from battery.
3. Remove front finisher.
4. Remove lower panel
5. Remove door panel complete with armrest.
6. Remove inner and outer sealing screens.
7. Remove column and both fixed and drop window.
8. Withdraw and remove velour seal.



Proceed in reverse order for reassembly.



DISASSEMBLY AND REASSEMBLY OF OUTER SCRAPER SEAL

1. Lower window.
2. Disconnect negative (-) lead from battery.
3. Remove screw securing outer scraper seal.
4. Withdraw and remove outer scraper seal.



Proceed in reverse order for reassembly.

DISASSEMBLY AND REASSEMBLY OF UPPER OUTER SEAL

1. Lower window.
2. Disconnect negative (-) lead from battery
3. Remove front finisher.
4. Remove lower panel.
5. Remove door panel complete with armrest .
6. Remove inner and outer sealing screens.
7. Remove column and fixed wing.
8. Withdraw velour seal as necessary to allow removal of upper outer seal.
9. Withdraw and remove upper outer seal.



Proceed in reverse order for reassembly.

DISASSEMBLY AND REASSEMBLY OF FRONT OUTER SEAL

1. Lower window.
2. Disconnect negative (-) lead from battery.
3. Withdraw velour seal as necessary to allow removal of front outer seal.
4. Withdraw and remove front outer seal.



Proceed in reverse order for reassembly.

DISASSEMBLY AND REASSEMBLY OF INNER SCRAPER SEAL

1. Lower window.
2. Disconnect negative (-) lead from battery.
3. Remove front finisher.
4. Remove lower panel.
5. Remove door panel complete with armrest.
6. Withdraw and remove inner scraper seal.



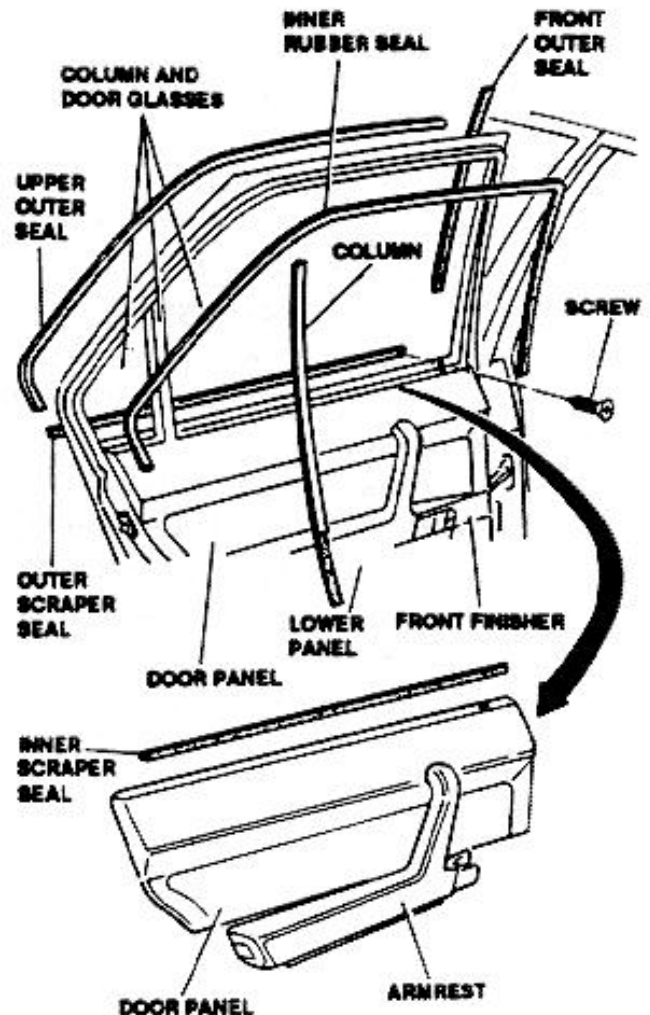
Proceed in reverse order for reassembly.

DISASSEMBLY AND REASSEMBLY OF INNER RUBBER SEAL

1. Lower window.
2. Disconnect negative (-) lead from battery.
3. Remove front finisher.
4. Remove lower panel.
5. Remove door panel complete with armrest.
6. Remove inner and outer sealing screens.
7. Remove column and fixed window.
8. Withdraw and remove inner rubber seal.



Proceed in reverse order for reassembly.



- After reassembly, check that each seal(s) is properly installed and flush with adjacent frame in order to avoid excessive noise during vehicle's run.
- After inner and outer sealing screen have been installed, perform window functional check to ascertain proper installation.
- For components and/or parts described in other pages of same group or in other groups, refer to related procedures and informations.

January, 1990

55 - 24



TECHNICAL CHARACTERISTICS AND SPECIFICATIONS

FLUIDS AND LUBRICANTS

Application	Type	Name
Door lock	GREASE	AMECO-OPTIMOL Optimoly-Paste White T Compound 7 Rhône-Poulenc chimica S.p.A.
Seals	SYLYCONE SPRAY LUBRICANT	

TIGHTENING TORQUES

FRONT DOORS Hinge-to-body securing bolts Hinge-to-door securing bolts	14.7 to 16.23 ft.lbs 6.64 to 7.38 ft.lbs	19.9 to 22 N.m 9 to 10 N.m
REAR DOORS Hinge-to-body securing bolts Hinge-to-door securing bolts	14.7 to 16.23 ft.lbs 6.64 to 7.38 ft.lbs	19.9 to 22 N.m 9 to 10 N.m



TROUBLESHOOTING PROCEDURE

NOTE: One of the possible inconveniences caused by the doors consists in an aerodynamic rustling causing a disturbing noise at high speeds.

For a rapid solution, refer to the troubleshooting concerning noise problems, **Group 66 - INTERNAL TRIM.**

